



2N® IP Audio Manager

Your gateway to the world of IP-audio and all its possibilities. The 2N® IP Audio Manager is the “brain” of all 2N IP audio devices. It converts audio sources to streams, then schedules and sends them over the IP network to a variety of locations.

Schools and campuses
Amusement parks
Office buildings
Health care services

Sports facilities
Shopping centres
Railway stations, airports
Other public spaces



You can broadcast to separate zones

Broadcast diversified content to as many as 100 different destinations, exactly the way you need to. Moreover, the application lets you define broadcast schedules for all the zones independently.

Scheduling

Schedule to suit your needs, create custom play-lists, map out a schedule of pre-set messages, jingles, ads or background music.

Easy work with audio sources

Build your own mp3 play-list or select a different audio source. For example, an Internet radio phone, a microphone console or use streaming from FM radio or CD/MP3 players.

2N® IP Audio Manager

FEATURES & BENEFITS

Audio synchronization

All 2N IP Audio end-points are automatically synchronized. This automatic synchronisation function ensures that there are no issues with time alignment, phasing or delay between any two speakers, even those in the same zone.

Intuitive operation

Take control of your IP audio system using your computer, tablet or mobile phone. Easily schedule the broadcasting of pre-recorded tracks, control the volume and monitor device operation.

Quick installation

There is no need for complicated software programming. All IP audio devices connect over a LAN/WAN network automatically.

Remote access

Software can easily be launched on a computer or server, where it will run 24/7. For its control you have an application designed to run from a PC, a tablet, or a mobile.

Up to 1,000 end-point devices

Your audio streams can be sent to as many as 1,000 speakers and decoders, without any restrictions as to their location or distance.

Specify up to 10 priorities

Simply set which audio input has the higher priority. For example, announcements can take precedence over music, etc.

Online monitoring

You will keep an overall view of the status of all devices and can instantly identify any fault.

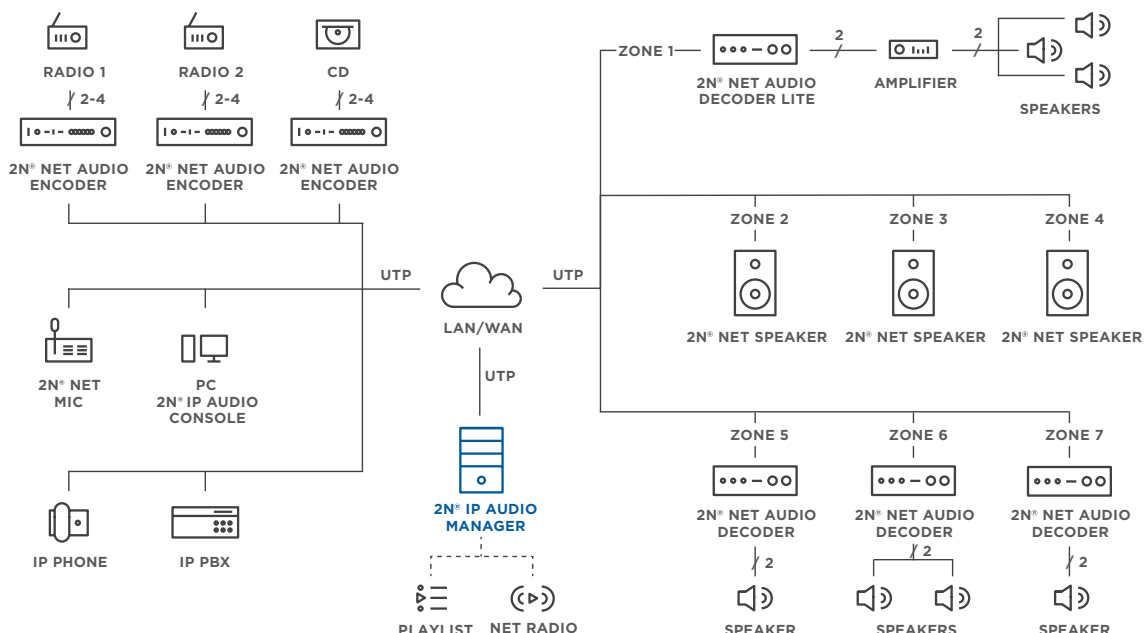
Bulk firmware upgrade

When a new version of the firmware is released you can update all the devices easily from one location.

Compatibility with other systems

Control third-party devices using the RTP Protocol (scheduling, zoning, volume and priority setting).

DIAGRAM



TECHNICAL PARAMETERS

Supported OS

Linux Debian 7.7.0 32/64 bit
WIN 7 32/64 bit
WIN Server 2008 R2*
WIN Server 2012 R2*
WIN 8 32/64 bit
WIN 8.1 32/64 bit
WIN 10 32/64 bit

Requirements for installation

Windows Media Player 11
Microsoft Visual C++ 2008 Redistributable Package (x86)
Microsoft .NET Framework 4
Desktop Experience feature (PC management function enabled)
Windows Firewall kept running during the installation, otherwise it is necessary to set the rules for the 2N IP Audio Manager manually

SOFTWARE

2N® IP Audio Control Panel - an application for controlling 2N IP Audio via a computer

2N® IP Audio Remote Control - an application for controlling 2N IP Audio via a smart-phone or tablet

2N® IP Audio Virtual Sound Card - allows music to be played back via any PC

2N® IP Audio Console - allows live inputs from a PC without a microphone