

# 5 Megapixel 180° Panoramic H.265 Mini Bullet Network Camera



IP67  
IK10

MS-C5365-PB

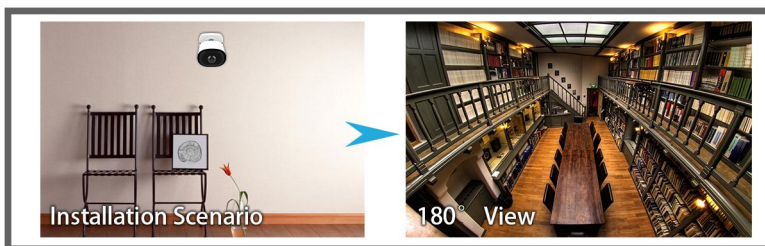
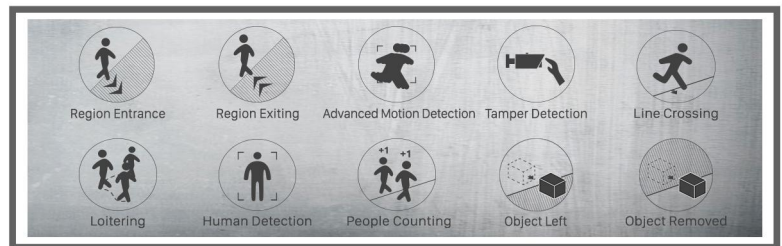
DATASHEET

## KEY FEATURES

- ▶ **Smart Stream** (Bandwidth, storage and bit rate are saved with Smart Stream On, eg, H.265<sup>+</sup> saves 70%~80% bandwidth that of H.264.)
- ▶ **Smart IR II** (With powerful IR LEDs to adjust IR intensity to fit different lighting conditions.)
- ▶ **Advanced Functions** (Boasting to support various advanced functions such as HLC, Defog, ROI.)
- ▶ **256G** (Supporting ultra-large external microSD/SDHC/SDXC card storage up to 256G.)
- ▶ **Adjustable 3-Axis Bracket** (Providing a robust mounting platform for angle adjustments on a 3-axis plane.)

## Video Content Analysis

Milesight VCA with 10 detection modes provides advanced, accurate smart video analysis for Milesight network cameras, enabling the comprehensive surveillance function and quicker response to different monitoring scenes.



## No Distortion 180° View

With panoramic lens, the camera is able to achieve 180° viewing capture. No blind spots would exist under the monitoring. At the same time, the great images with no distortion well guarantees the image quality.

## 120dB Super WDR

Milesight's sensor-based WDR technology allows the camera to record greater scene details with true color reproduction even under the extreme back light and high contrast conditions. The ratio that the brightest light signal values divided by the darkest light signal values is up to 120dB.



## IP67&IK10

Supporting IP67-rated weather proofing and IK10-rated vandal proof which are the leading level of the industry, the camera is well protected against adverse impact to ensure the performance.

# 180° Panoramic H.265 Mini Bullet Network Camera

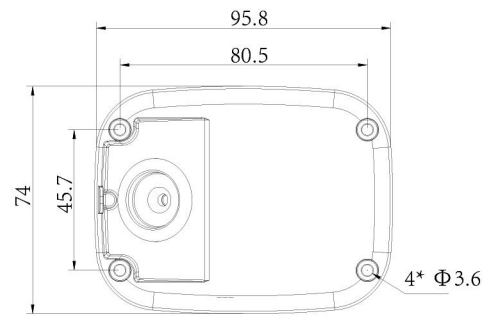
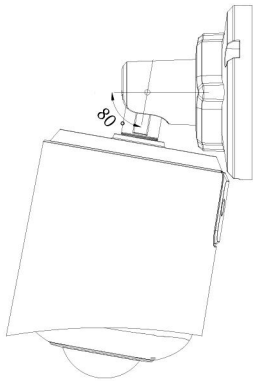
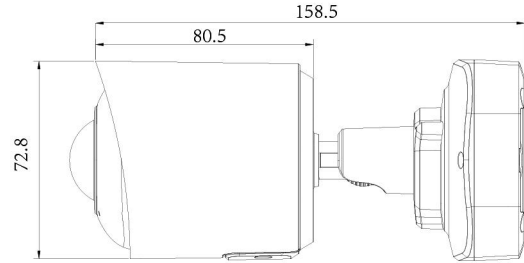
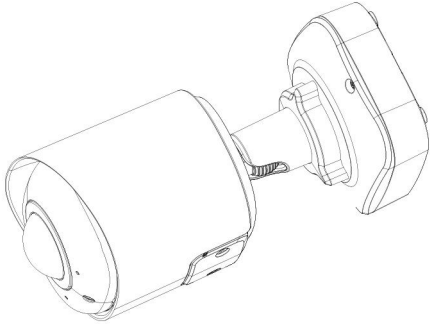


	Model	MS-C5365-PB (5MP)
<b>Camera</b>	Image Sensor	1/2.8" Progressive Scan CMOS
	Min. Illumination	Color: 0.005Lux@F1.2 B/W: 0Lux with IR on
	WDR	120dB Super WDR
	Lens	1.68mm @F2.0
	Mount	M12
	Field of View	H180°/V95°
	Shutter Time	1/100000s~1s
	IR Distance	Up to 15m
	Day&Night	ICR Filter Auto Switch
<b>Video</b>	Max. Image Resolution	2592x1944 (Original)
	Primary Stream	30fps@(2592x1944)(Original), 30fps@(2560x1440, 1920x1080, 1280x720)
	Secondary Stream	30fps(640x480, 640x360, 320x240)
	Tertiary Stream	30fps@(1920x1080, 1280x720, 704x576, 640x480, 640x360, 320x240, 320x192, 320x176)
	Video Compression	H.265 <sup>+</sup> /H.265(HEVC)/H.264 <sup>+</sup> /H.264/MJPEG
	Video Bit Rate	16Kbps~16Mbps(CBR/VBR Adjustable)
	Image Setting	Brightness/Contrast/Saturation/Sharpness
<b>Network</b>	Ethernet	1*RJ45 10M/100M Ethernet Port
	Network Storage	NAS(Support NFS, SMB/CIFS)
	Protocol	IPv4/IPv6, TCP, UDP, RTP, RTSP, RTCP, HTTP, HTTPS, DNS, DDNS, DHCP, FTP, NTP, SMTP, SNMP, UPnP, SIP, PPPoE, VLAN, 802.1x, QoS, IGMP, ICMP, SSL
<b>Audio</b>	Audio Compression	G.711/AAC
	Audio Interface	Built-in Microphone
<b>System</b>	Storage	Support microSD/SDHC/SDXC Card Local Storage, up to 256G
	Advanced Function	Privacy Masking, Backlight Compensation, HLC, 2D DNR, 3D DNR, ROI, Anti-fog, White Balance, EIS, IP Address Filtering
	SIP/VoIP Support	Yes, Voice & Video-over-IP
	Event Trigger	Motion Detection, Network Disconnection, Audio Alarm, etc.
	Event Action	FTP Upload, SMTP Upload, SD Card Record, SIP Phone, HTTP Notification, etc.
	Video Analysis (Optional)	Region Entrance, Region Exiting, Advanced Motion Detection, Tamper Detection, Line Crossing, Loitering, Human Detection, People Counting, Object Left, Object Removed
	System Compatibility	ONVIF Profile S & G
<b>General</b>	Working Temperature	-40℃~60℃
	Working Humidity	0~90%(Non-condensing)
	Power Supply	PoE (802.3af)/ DC 12V ± 10%
	Power Consumption	4.1W MAX
		7.1W MAX (With IR on)
	Weather Proof	Up to IP67-rated for Weather-resistant Performance
	Housing	Vandal-proof IK10-rated Metal Housing
	Weight	630g
	Dimensions	95.8mmX74mmX158.5mm
Warranty	3/5 Years	

# 180° Panoramic H.265 Mini Bullet Network Camera



## Structure Diagrams



Units: mm

## Accessories Support

A01 Pole Mount

Weight: 720g  
Dimensions: 170\*51.5\*152.6mm



A02 Internal Corner Bracket

Weight: 540g  
Dimensions: 170\*23.2\*205.3mm



A03 External Corner Bracket

Weight: 900g  
Dimensions: 170\*152.6\*76.3mm



## Naming Convention



Milesight Technology Co.,Ltd. | [www.milesight.com](http://www.milesight.com)

Contact Us: [sales@milesight.com](mailto:sales@milesight.com) [support@milesight.com](mailto:support@milesight.com)

Add: 220 NE 51st Street, Oakland Park, Florida 33334, USA  
Tel: +1-800-561-0485

Add: 925, Anyang SK V1 Center, LS-ro 116beon-gil, Dongan-gu, Anyang-si, Korea  
Tel: +82-31-990-7772

Add: No.23 Wanghai Road, 2nd Software Park, Xiamen, China  
Tel: +86-592-5922772

